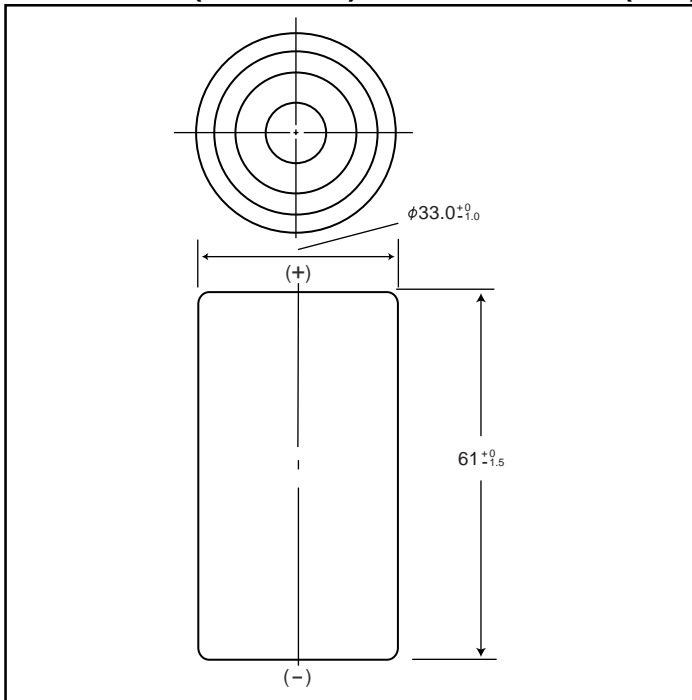


NICKEL METAL HYDRIDE BATTERIES: INDIVIDUAL DATA SHEET

HHR900D Cylindrical D size (HR 33/62)

Dimensions (with Tube) (mm)



Specifications

	mm	inch
Diameter	33.0+0/-0.1	1.3+0/-0.04
Height	61.0+0/-1.5	2.40+0/-0.08
Approximate Weight	Grams	Ounces
	170	6.0

Nominal Voltage		1.2V		
Discharge Capacity ¹	Average ²	9000 mAh		
	Rated (Min.)	8250 mAh		
Approx. Internal impedance at 1000Hz at charged state.		3.5mΩ		
Charge	Standard	900mA (0.1It) x 16hrs.		
	Rapid	4500mA (1It) x 2.4 hrs.		
Ambient Temperature	Charge	Standard	°C	°F
			0°C to 45°C	32°F to 113°F
	Rapid ³	0°C to 40°C	32°F to 104°F	
		Discharge	-10°C to 65°C	14°F to 149°F
Storage	< 1 year	-20°C to 35°C	-4°F to 95°F	
	< 6 months	-20°C to 45°C	-4°F to 113°F	

¹ After charging at 0.1It for 16 hours, discharging at 0.2It.

² For reference only.

³ For rapid charge: contact Panasonic for recommended charge control methods.

Battery performance and cycle life are strongly affected by how they are used. In order to maximize battery safety, please consult Panasonic when determining charge / discharge specs, warning label contents and unit design.

Note: [It] was previously expressed as [C]. [It] is an IEC standard expression for the amount of charge or discharge current and is expressed as:

$$It(A) = Cn (Ah)/1h.$$

- [It] is the reference test current in amperes
- [Cn] is the rated capacity of the cell or battery in Ampere-hours.
- n = the time base [hours] for which the rated capacity is declared

Typical Discharge Characteristics

